

Impact-E PCIe



Features

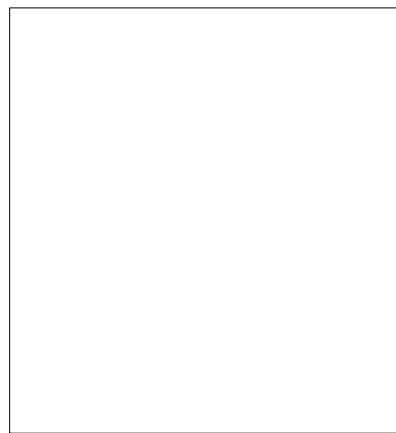
The Impact-E PCIe is a compact, low power embedded PC, featuring the Intel D525 ATOM processor.

The Impact-E PCIe is assembled and tested within a lean manufacturing environment under ISO 9001.

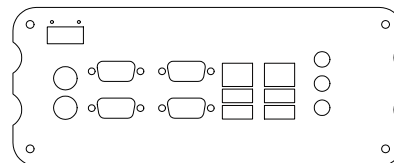
Key features:

- Low Power
- Compact design
- PCIe x1 expansion with pre fitted cards
- 3 year warranty

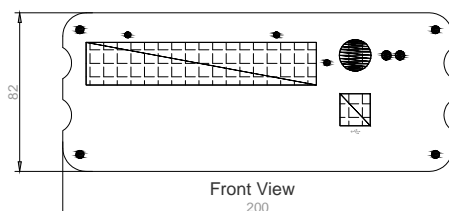
Dimensions



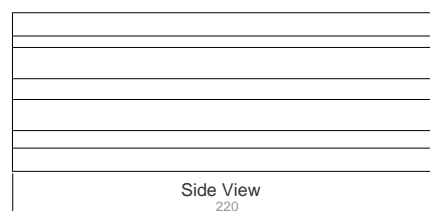
Top View



Rear View



Front View
200



Side View
220

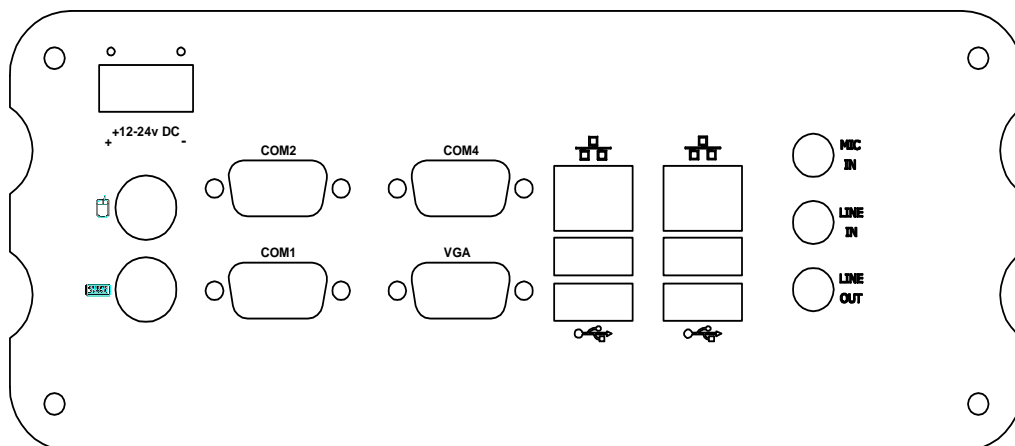
Impact-E PCIe

The information is believed to be accurate. However Amplicon Liveline Limited accepts no responsibility for any problems caused by errors and omissions. Specifications are subject to change without notice.

Specifications

Hardware specifications	CPU: Intel ATOM D525 Main memory: 2GB DDRII SODIMM (maximum 4GB) Chipset: ICH8M LAN: Dual integrated Gigabyte network (Realtek and Intel)	Mechanical	Design: Rugged compact embedded design Cooling: Fanless design Construction: Extruded Aluminium Colour: Black Dimension: 200 x 88 x 220mm (W x H x D) Packaging: 355 x 260 x 335mm (W x H x D) Gross weight: 2.8kg
BIOS	AMI BIOS	Mounting options	Desk mount Wall mount (kit supplied as standard)
Storage	1 x 2.5" Solid state drive or 1 x 2.5" SATA hard drive Total drive capacity:- 2 x 2.5" SATA SSD/HDD	Environmental operation	Acoustic noise: Near silent operation Operating Temperature: 0°C to 55°C Humidity: 0 to 90% non-condensing
System expansion	1 x PCIe x1 (pre populated) 1 x Compact Flash	Environmental storage	Temperature: -20°C to 70°C Humidity : 5% to 90% @ 20°C
System architecture	Mini ITX form factor motherboard	Electromagnetic compatibility (EMC)	EN 55022 Class A EN 55024 Electrostatic discharge immunity test (EN61000-4-2) Enclosure port ±4kV Contact, applied to enclosure port ±8kV Air, applied to enclosure port Radiated, radio-frequency, electromagnetic field immunity test (EN61000-4-3) Enclosure port 80-1000MHz, 10 V/m (RMS, no modulation) 80% Modulation with 1kHz Sine wave Electrical fast transient/burst immunity test (EN61000-4-4) Power port AC, inc. protective earth Severity ±0.5kV Immunity to conducted disturbances induced by radio frequency fields (EN61000-4-6) Power port AC, inc. protective earth via CDN M3 0.15-80MHz, 10 V/m (no modulation) 80% Modulation with 1kHz Sine wave, applied via CDN Amplicon own a fully equipped EMC facility and can provide many additional tests to meet your requirements.
Supported O/S	Windows XP (32 bit), Windows 7 (32 bit)		
General Interfaces	Front 2 x USB 2.0 Rear 4 x USB 2.0 2 x RJ45 LAN 1 x VGA		
Display	Maximum resolution: 2048 x 1536 @ 60Hz		
LED and switches	Power (PC on LED) Hard disk access LED ATX system control switch		
Main board power options	Supports DC input voltage +12 ~ 25VDC		

Rear I/O plate



Sales: +44 (0) 1273 570 220 Admin: +44 (0) 1273 608 331 Fax: +44 (0) 1273 570 215 Website: www.amplicon.com Email: sales@amplicon.com